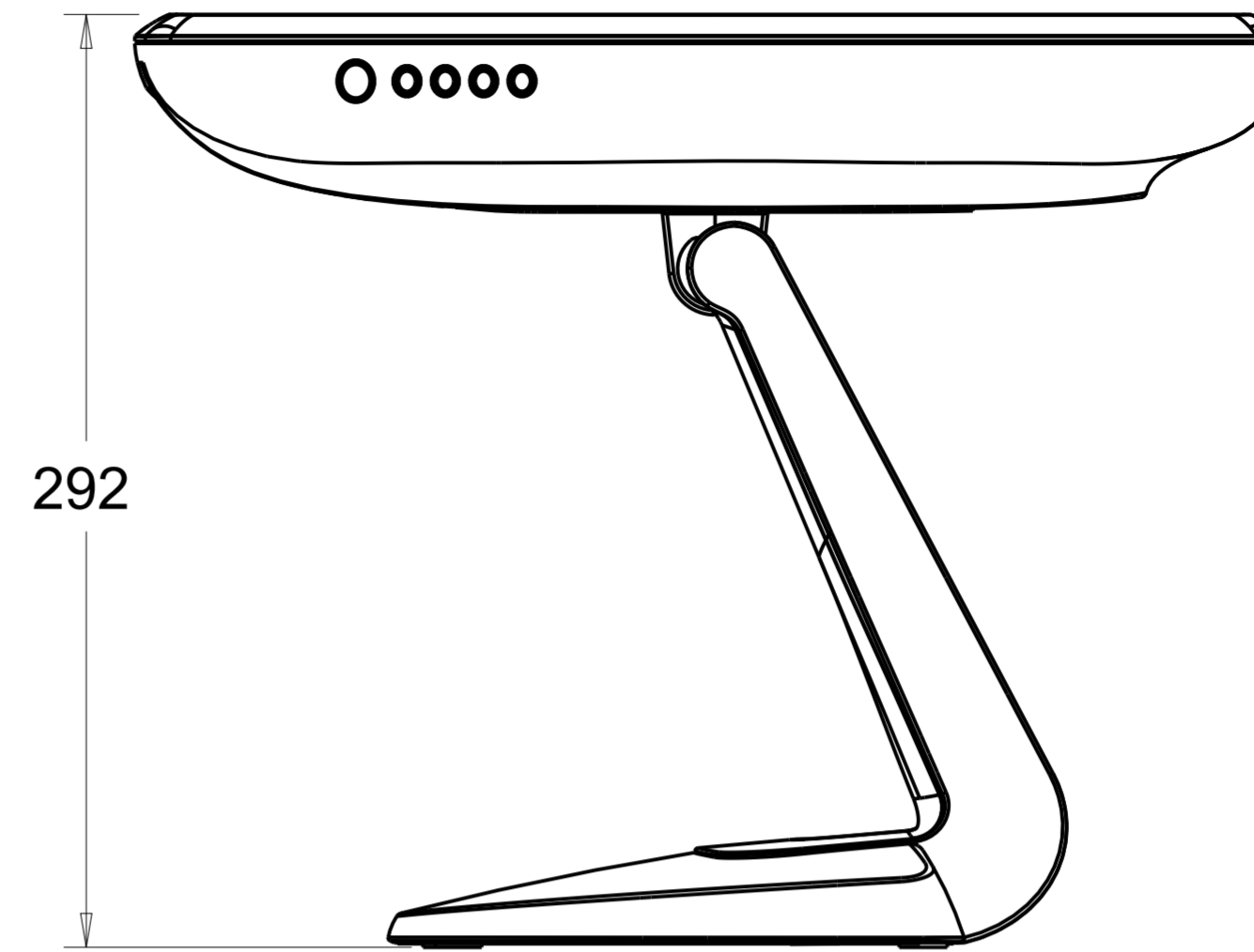
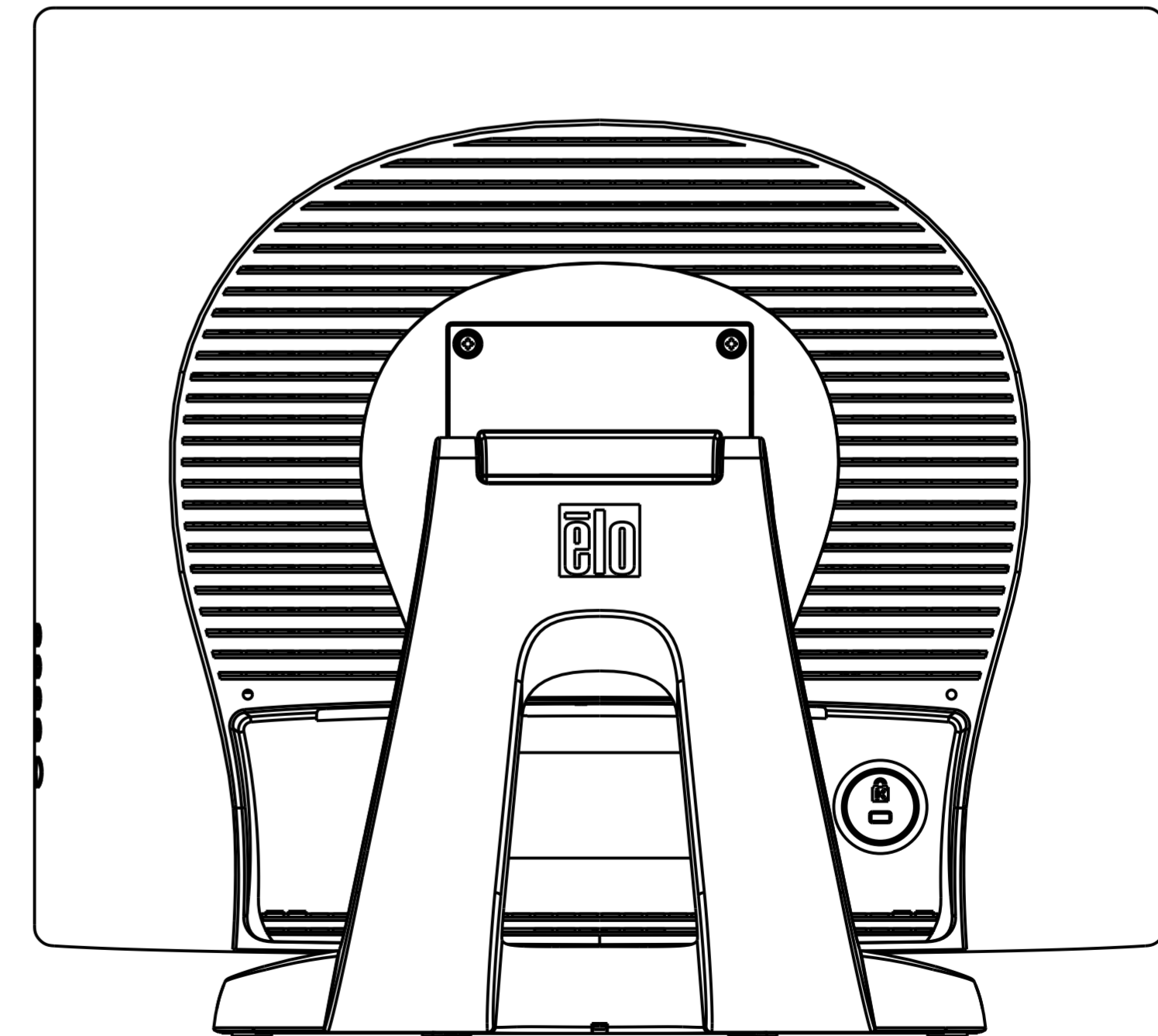
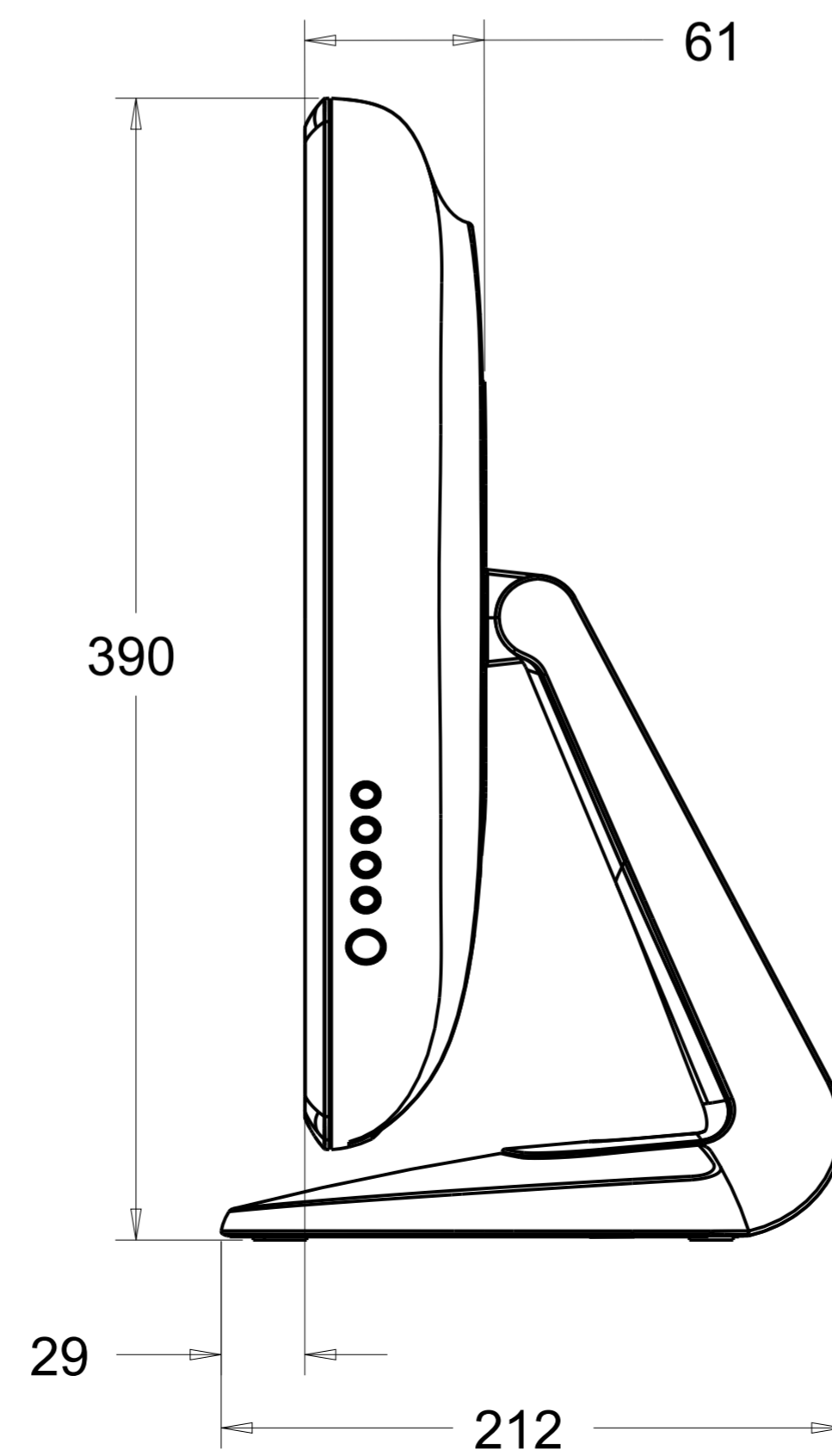
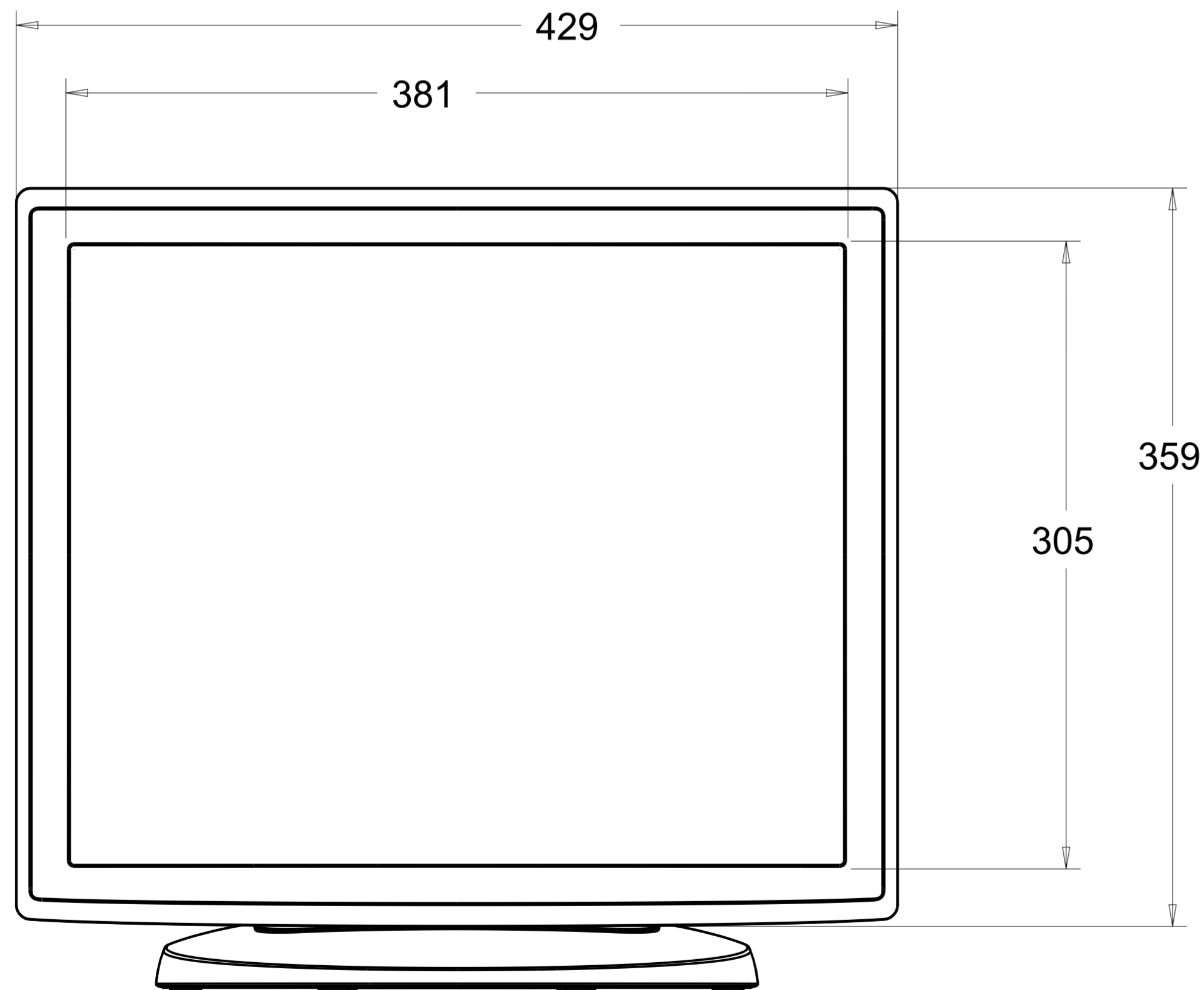
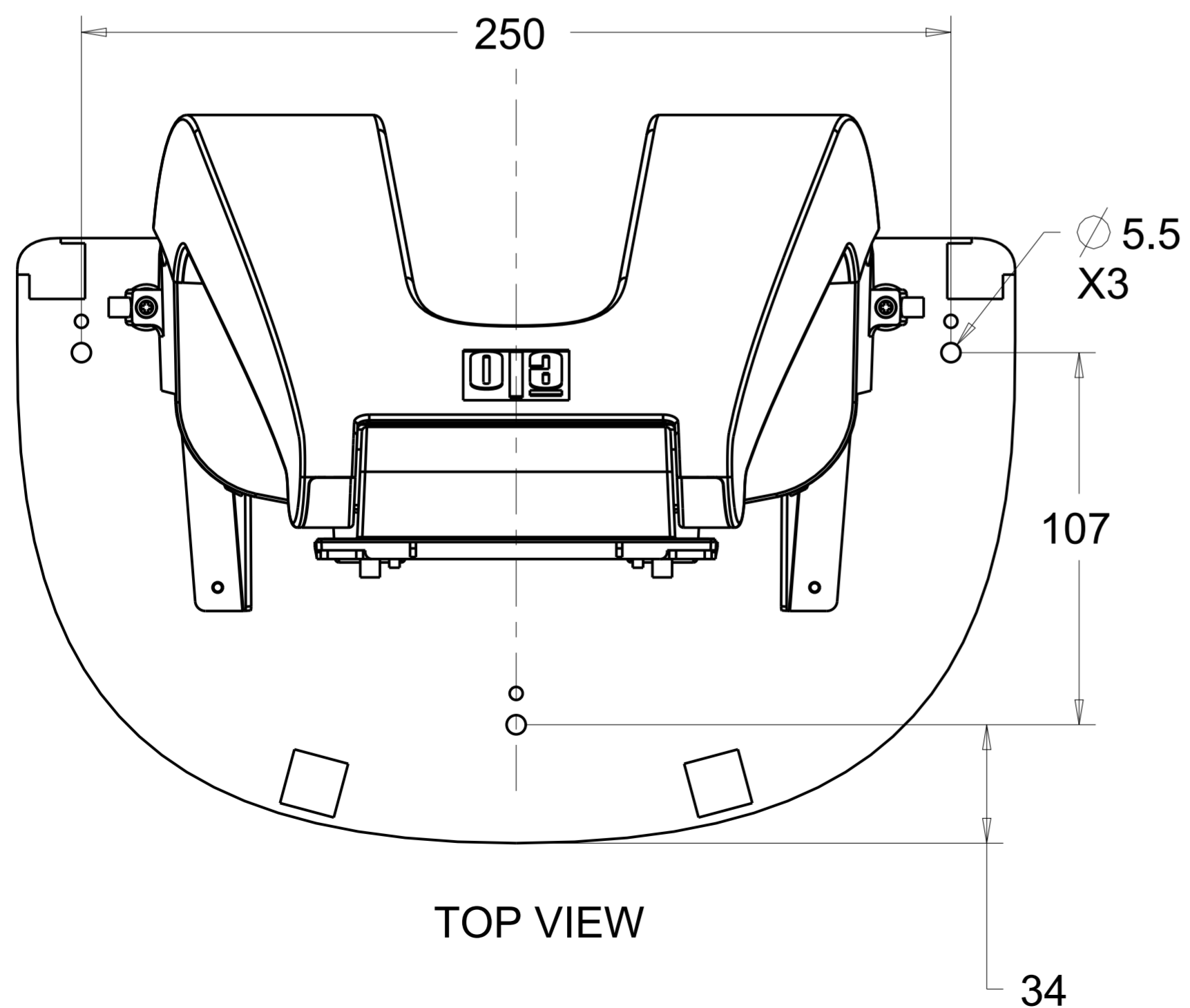
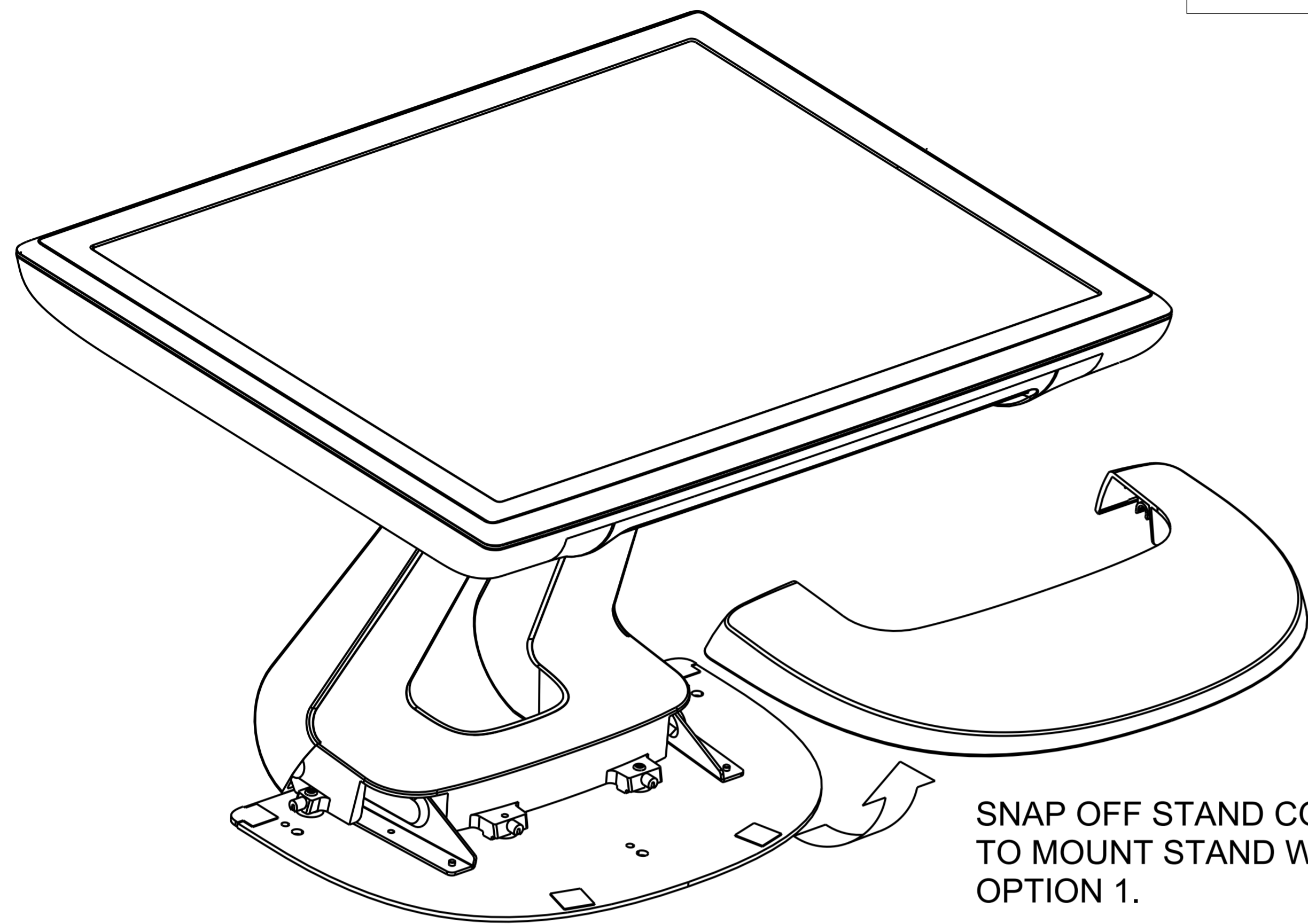


TILT -5° FROM VERTICAL

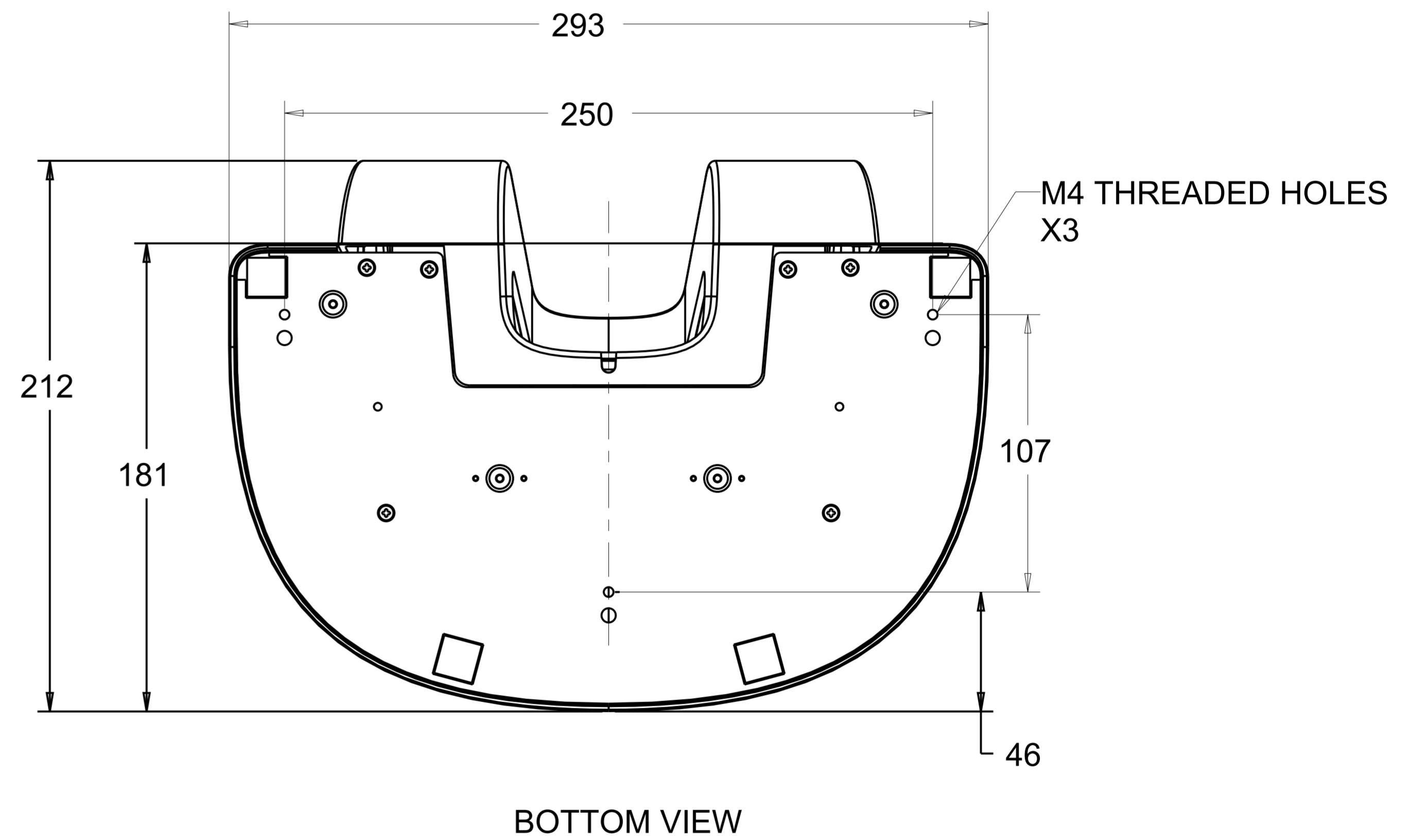


TILT 90° FROM VERTICAL





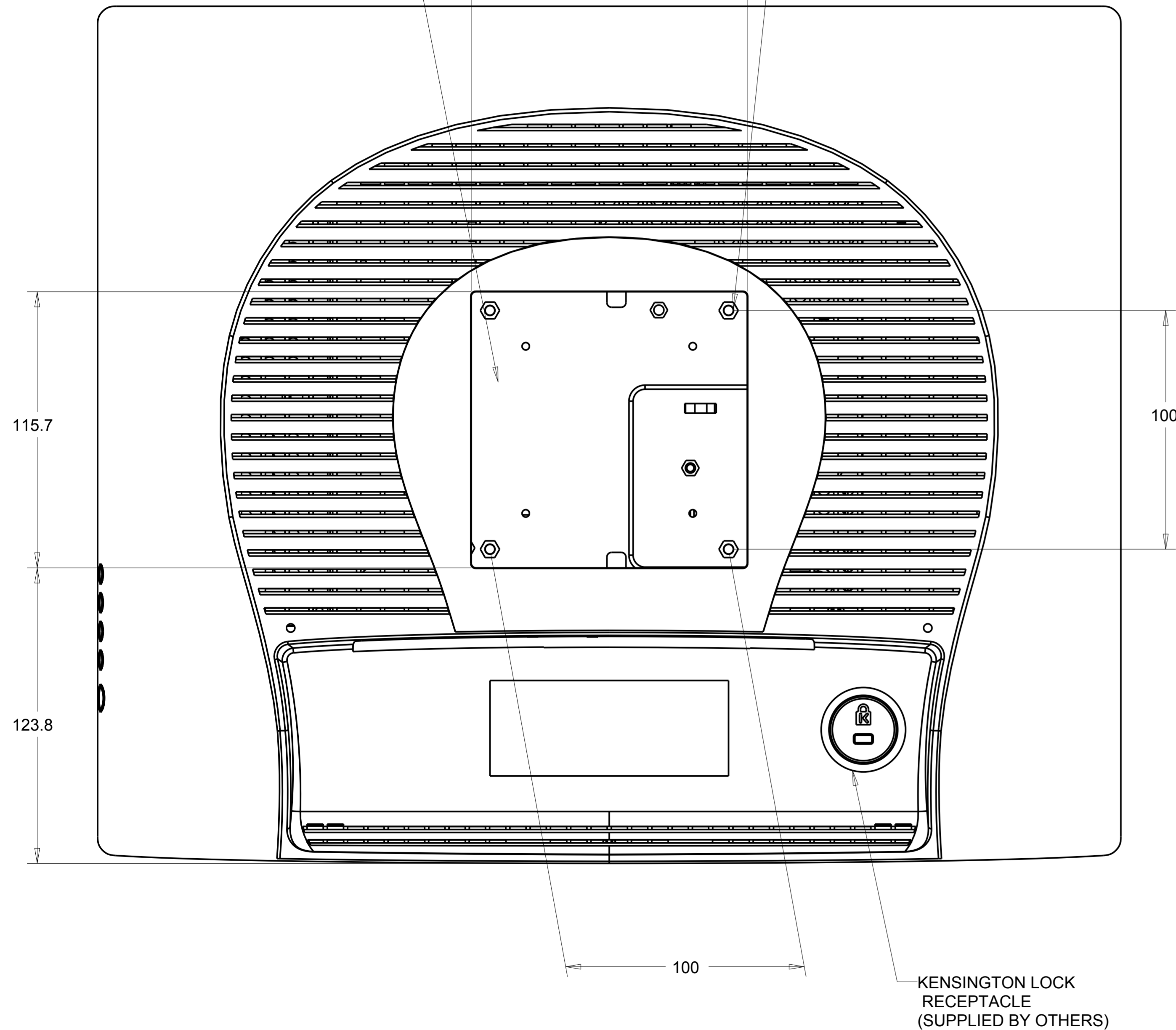
MOUNT OPTION 2



VESA MOUNT

VESA MOUNTING SURFACE IS 5.6 MM BELOW PLASTIC

M4 THREAD, PHILIPS HEAD MOUNTING SCREWS 7mm DEEP FROM VESA SURFACE, X4



KENSINGTON LOCK RECEPTACLE (SUPPLIED BY OTHERS)

CONNECTOR PANEL

TOUCH-SCREEN CONNECTORS

